

Diameter of Largest Main	D	C	T, Min.
8"	5'-0"	3'-9"	6"
10" - 12"	6'-0"	3'-9"	7"
14" - 16"	7'-0"	14" Slab	9"
Over 16"	8'-0"	18" Slab	9"

NOTE:

Tracing wire must be installed and brought to grade.
(12 gauge, solid strand, insulated wire)

* Dimension "C" May Vary From the Dimension Shown to + 6"

** For Optional Precast Reinforced Concrete Flat Top Slab, Refer to IDOT Standard

All Barrel and Cone Sections to be Set in Bituminous Mastic

Interior Joints and Lift Holes to be Mortared

Adjusting Rings, if Used, and Castings to be Set in Bituminous Mastic

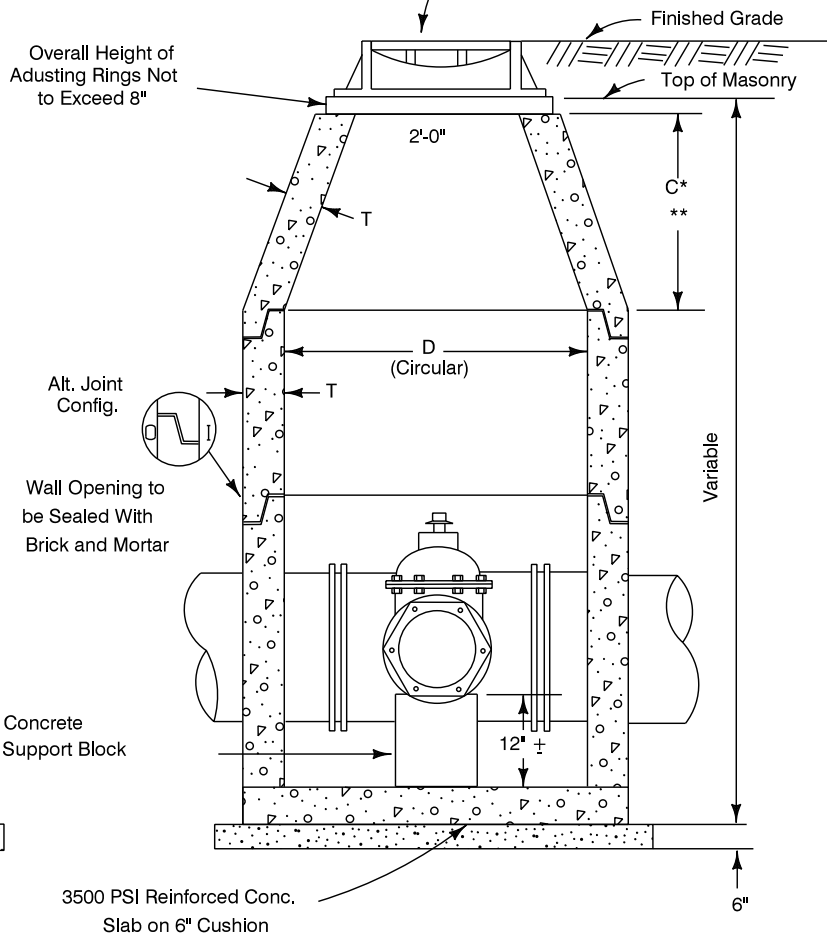
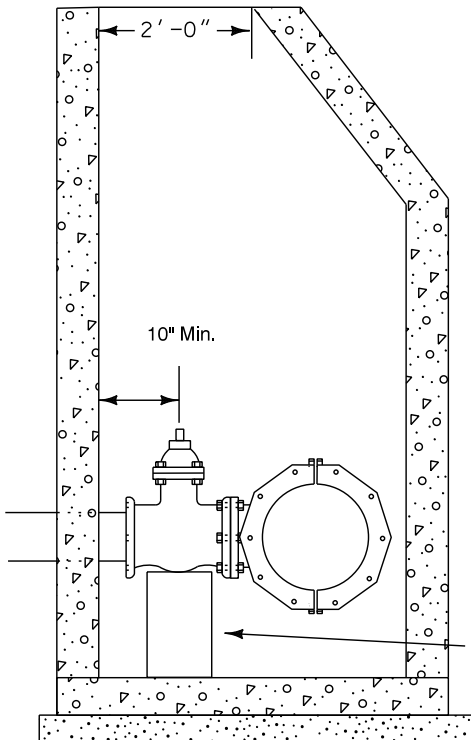
Provide Neenah R-1772-C Frame and Manhole as Specified Below:

For All Public Structures Use (VILLAGE OF GURNEE LOGO)

For All Others - Concealed Pickholes, Self-Sealing Gasket, and Word "WATER" Cast in Lid.

Center Opening Over Operating Nut

Offset cone section shown for illustration purposes only



VALVE VAULT AT PRESSURE CONNECTION

Issued		
By	Revised	Date
WJH		2-13-93
LG		4-04-00
SD		1-4-06
SD		3-24-08
MJ		6-25-14
MJ		1-07-15

VILLAGE OF GURNEE
ENGINEERING DIVISION

Approved by:
SD 1/4/06
SD 3/24/08
SD 6/25/14