

**EAST JORDAN
IRON WORKS, INC.**
P.O. BOX 439
EAST JORDAN, MI. 49727
1-800-874-4100
FAX 231-536-4458

DRAWN SMH	DATE 01/19/04
APPROVED	DATE

**SPECIAL LETTERED
COVER**

PRODUCT NO.
00102441

CATALOG NO.
1020AGS

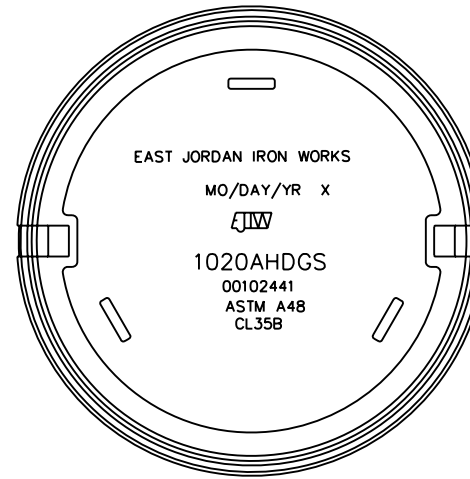
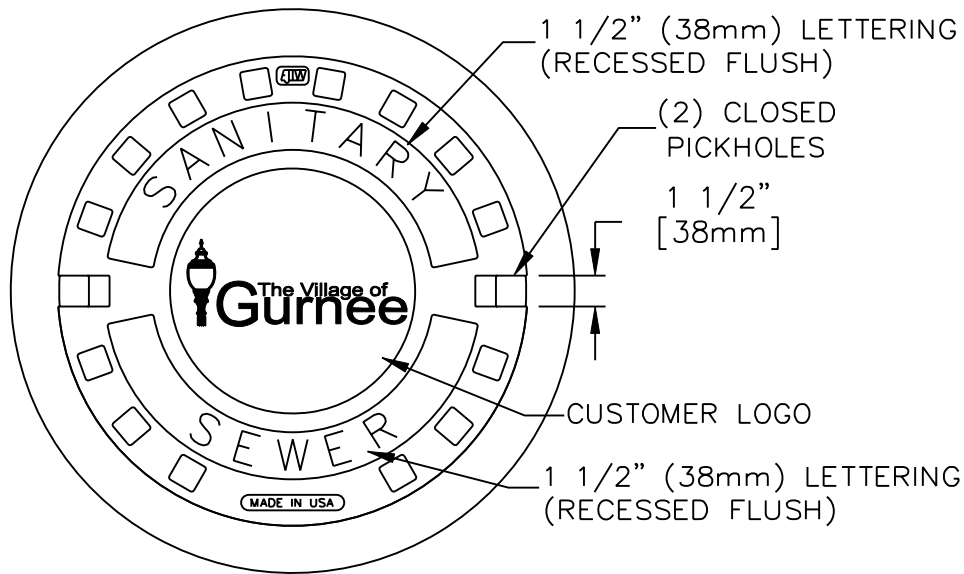
REF. PRODUCT DRAWING
00102441

EST. WT.
COVER WT: 115 LBS (52kg)

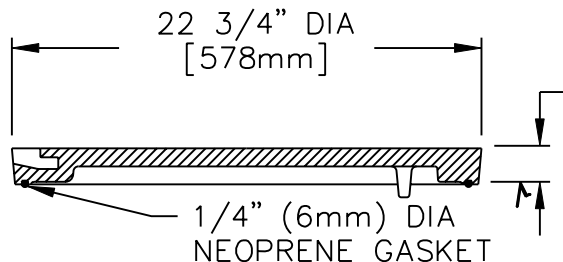
OPEN AREA
N/A

MAT'L SPEC.
COVER - GRAY IRON
ASTM A48 CL35B

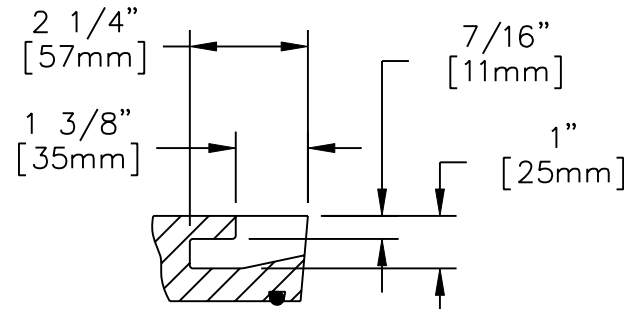
LOAD RATING
HEAVY DUTY



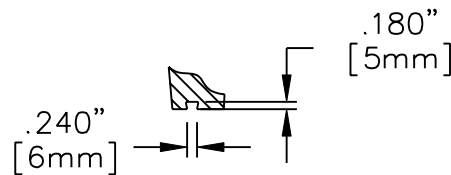
BOTTOM VIEW



COVER SECTION



PICKHOLE DETAIL



GROOVE DETAIL

√ MACHINED SURFACE